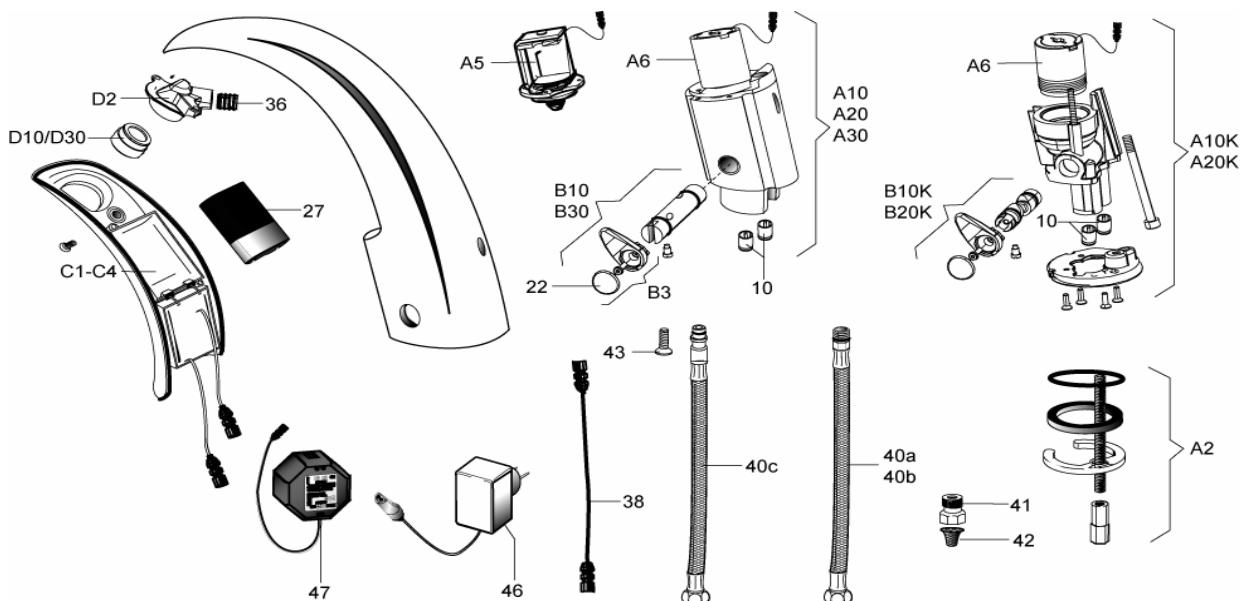


washbasin faucet A10 / A20 / A30

no.	discription	order no.	pcs/unit	price per piece in CHF excl. VAT
10	back flow preventer valve Ø10mm	391 003 00	2	
22	cover for mixing device	391 017 11	1	
24	fastening screw for front cover	390 012 00	1	
26	seal for front cover	390 013 00	1	
27	battery exchange set 2CR5/DL245	550 000 03	1	
36	pipe seal	390 003 00	2	
38	extension cable 30cm for mains supply	391 026 00	1	
41	flow limiter for A30	391 020 00	1	
42	filter	391 021 00	2	
43	fixing screw for plug connection hoses	391 036 00	1	
46	plug mains receiver 230VAC/6VDC	550 032 00	1	
47	concealed mains receiver 230VAC/6VDC	393 010 00	1	
40a	flexible high pressure hose M12 350mm	391 018 00	1	
40b	flexible high pressure hose M10 500mm	391 019 00	1	
40c	flexible high pressure hose plug connection EU 350mm	391 034 00	1	
A10	valve body complete for A10 with hoses, brass	391 001 00	1	
A10	valve body complete for A10 plug junction, without hoses, brass	391 101 00	1	
A10K	valve body complete for A10, plastic	391 111 00	1	
A2	fastening components complete	391 004 00	1	
A20	valve body complete for A20 with hoses, brass	391 030 00	1	
A20	valve body complete for A20 plug junction, brass	391 130 00	1	
A30	valve body complete for A30, brass	391 002 00	1	
A5	valve complete for A10/A20/A30, 1.version	391 031 00	1	
A6	cartridge valve complete, M28x1	396 004 00	1	
B10	mixing device complete for A10	391 005 11	1	
B10K	mixing device complete for A10, plastic valve body	391 105 11	1	
B20K	dummy for A20, plastic valve body	391 104 00	1	
B3	mixing handle complete for A10-A30	391 025 11	1	
B30	mixing device complete for A30	391 006 11	1	
C1	electronic cpl. with "iqua click", battery operated	391 009 11	1	
C2	electronic cpl. without "iqua click", battery operated	391 010 11	1	
C3	electronic cpl. with "iqua click", mains supply	391 011 11	1	
C4	electronic cpl. without "iqua click", mains supply	391 012 11	1	
D10	aerator complete	391 014 11	1	
D2	aerator holder complete	391 016 00	1	
D30	aerator complete for depressurized faucets	391 015 11	1	

surcharge colouring: gross plus 20%

delivery time coloured parts - upon request

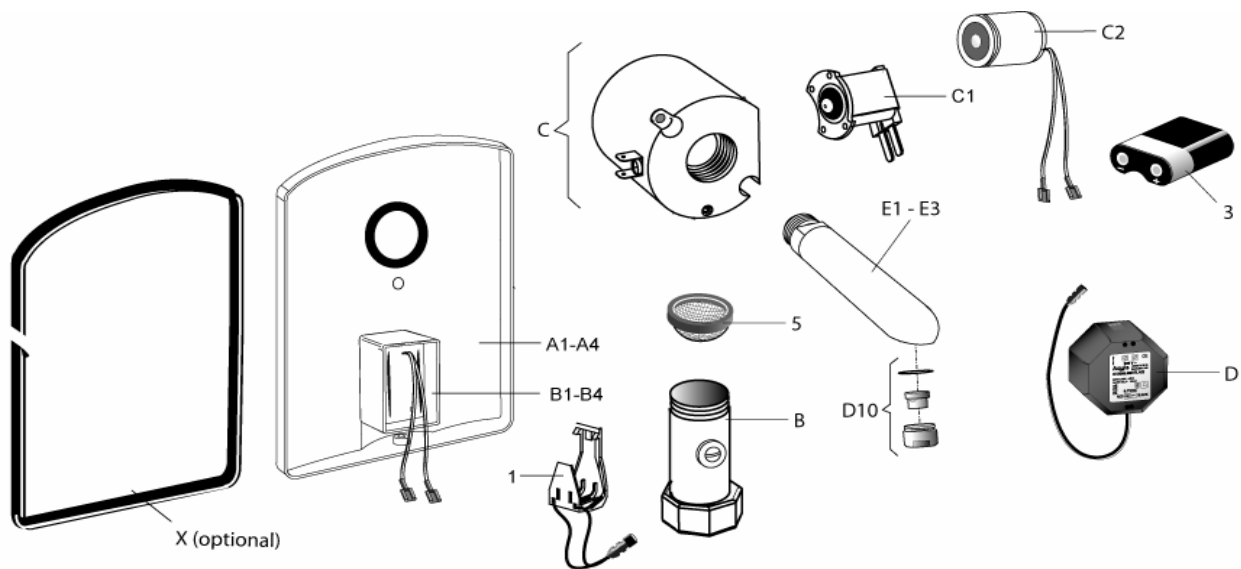


price per piece in CHF excl. VAT, replaces all earlier versions

V5.4 / 01.01.2008 / subject to alteration

wall valve A50 for concealed installation

no.	discription	order no.	pcs/unit	price per piece in CHF excl. VAT
1	battery holder with plug connection	397 261 00	1	
3	battery exchange set DL223A/CRP2P	550 000 04	1	
5	filter complete for A50	396 056 00	1	
A1	front panel cpl. with "iqua click", battery operated	396 050 00	1	
A2	front panel cpl. without "iqua click", battery operated	396 051 00	1	
A3	front panel cpl. with "iqua click", mains supply	396 052 00	1	
A4	front panel cpl. without "iqua click", mains supply	396 053 00	1	
B	stop valve for A50/U20 1/2"	393 006 00	1	
B1	electronics with "iqua click", battery operatetd	396 040 00	1	
B2	electronics without "iqua click", battery operatetd	396 041 00	1	
B3	electronics with "iqua click", mains supply	396 044 00	1	
B4	electronics without "iqua click", mains supply	396 045 00	1	
C	valve body complete for A50	396 055 00	1	
C1	valve complete A50/SE3/U20/U50	393 005 00	1	
C2	cartridge valve U40/SE3	395 000 00	1	
D	concealed mains receiver 230VAC/6VDC	393 010 00	1	
D10	aerator complete	391 014 11	1	
E1	spout 170mm for A50	396 057 11	1	
E2	spout 120mm for A50	396 058 11	1	
E3	spout 220mm for A50	396 059 11	1	
X	seal for front panel 74.5cm(optional)	396 049 00	1	

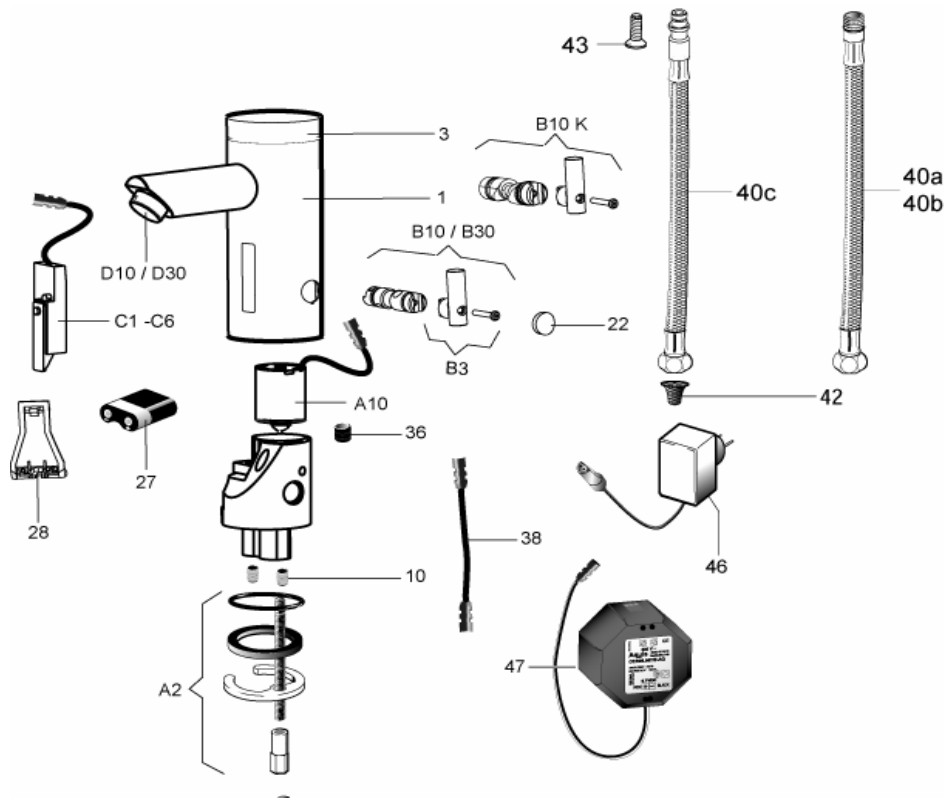


washbasin faucet B10 / B20 / L10 / L20 /L30

no.	discription	order no.	pcs/unit	price per piece in CHF excl. VAT
2	straight spout L10-20	397 023 11	1	
3	cover solar	397 020 11	1	
3	cover chrome	397 024 11	1	
10	back flow preventer valve Ø10mm	391 003 00	2	
22	cover for mixing device	391 017 11	1	
27	battery exchange set DL223A/CRP2P	550 000 04	1	
28	battery holder	396 008 00	1	
36	pipe seal	390 003 00	2	
38	extension cable 30cm for mains supply	391 026 00	1	
42	filter	391 021 00	2	
43	fixing screw for plug connection hoses	391 036 00	1	
46	plug mains receiver 230VAC/6VDC	550 032 00	1	
47	concealed mains receiver 230VAC/6VDC	393 010 00	1	
40a	flexible high pressure hose M12 350mm	391 018 00	1	
40b	flexible high pressure hose M10 500mm	391 019 00	1	
40c	flexible high pressure hose plug connection EU 350mm	391 034 00	1	
A10	cartridge valve complete, M28x1	396 004 00	1	
A2	fastening components complete	391 004 00	1	
B10	mixing device complete for lino	397 004 11	1	
B10K	mixing device complete for lino plastic body	397 104 11	1	
B3	mixing handle complete for lino	397 005 11	1	
B30	mixing device complete for L30	397 006 11	1	
C1	electronics with "iqua click", battery operated	397 007 00	1	
C2	electronics without "iqua click", battery operated	397 008 00	1	
C3	electronics with "iqua click", mains supply	397 009 00	1	
C4	electronics without "iqua click", mains supply	397 010 00	1	
C5	electronics with "iqua click", solino	397 021 00	1	
C6	electronics without "iqua click", solino	397 022 00	1	
D10	aerator complete	391 014 11	1	
D30	aerator complete for depressurized faucets	391 015 11	1	

surcharge colouring: gross plus 20%

delivery time coloured parts - upon request



price per piece in CHF excl. VAT, replaces all earlier versions

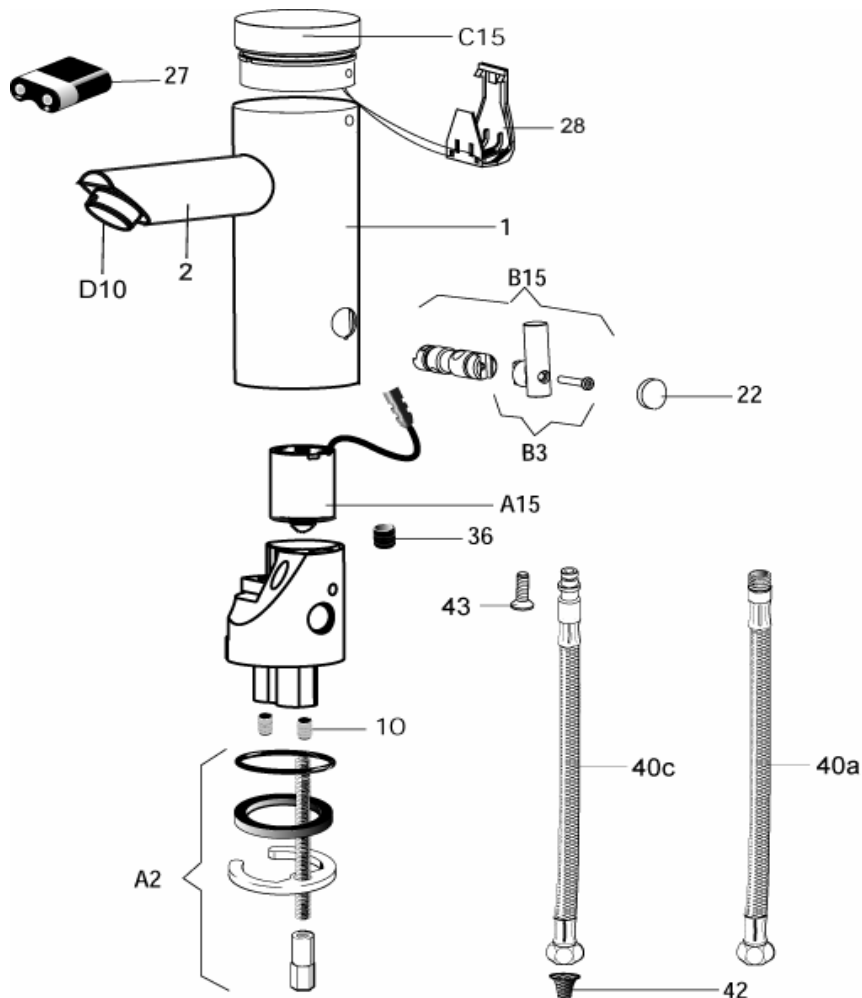
V5.4 / 01.01.2008 / subject to alteration

Tipolino self-closing faucet B15 / B25 / L15 / L25

no.	discription	order no.	pcs/unit	price per piece in CHF excl. VAT
2	straight spout L10-20	397 023 11	1	
10	back flow preventer valve Ø10mm	391 003 00	2	
22	cover for mixing device	391 017 11	1	
27	battery exchange set DL223A/GRP2P	550 000 04	1	
28	battery holder	396 008 00	1	
36	pipe seal	390 003 00	2	
40	flexible high pressure hose M12 350mm	391 018 00	1	
42	filter	391 021 00	2	
40c	flexible high pressure hose plug connection EU 350mm	391 034 00	1	
A15	cartridge valve complete, M28x1	396 004 00	1	
A2	fastening components complete	391 004 00	1	
B15	mixing device complete for lino	397 004 11	1	
B3	mixing handle complete for lino	397 005 11	1	
C15	start/stop-electronics complete tipolino	398 006 11	1	
D10	aerator complete	391 014 11	1	

surcharge colouring: gross plus 20%

delivery time coloured parts - upon request



Shower D30-D35

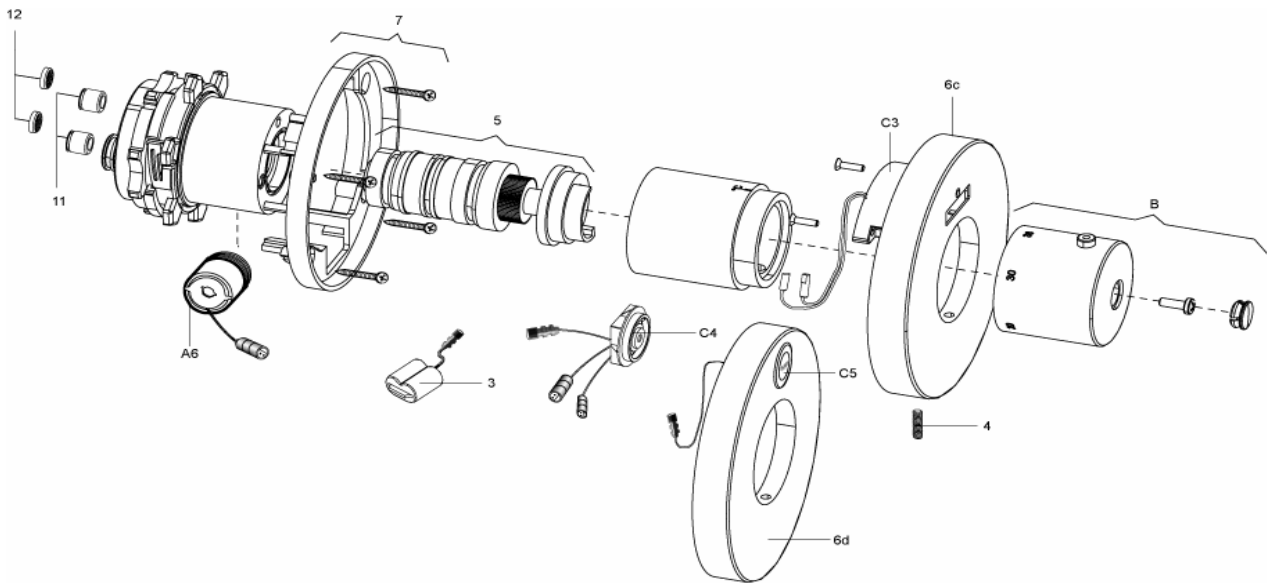
no.	discription	order no.	pcs/unit	price per piece in CHF excl. VAT
3	coated battery	55000005	1	
C1	metal push button(without electronics)	39713211	1	
	s-connector 3/4"-1/2" with integrated stop valve	noch keine Nr.	2	
C1	electronics without metal push button	39713400	1	
4	back flow preventer valve Ø15mm	39713500	2	
8	thermostat W/D35	39713800	1	
9A	mixing handle W/D30	397 136 11	1	
10	cover for mixing device W/D30 left	39713011	1	
	o-ring set W/D30	397 137 00	1	
9B	mixing handle for thermostat W/D35	397 139 00	1	
	screws set W/D3x series	397 140 00	1	
4	cover for mixing device D30/35 right	39713300	1	
5	filter complete for A50	39605600	1	
A6	cartridge valve complete, M28x1	39600400	1	
2	shower head complete for D10	39600911	1	

iqua lino shower faucet DV30-35

no.	discription	order no.	pcs/unit	price per piece in CHF excl. VAT
3	coated battery	550 000 05	1	
4	headless screw DVXX	397 355 00	1	
5	thermostat DVXX	397 351 00	1	
6c	front cover DV30 for sensor	397 353 11	1	
	front cover DV35 for push button	397 357 11	1	
7	fixing ring for front cover	397 332 00	1	
11	back flow preventer valve Ø10mm	391 003 00	2	
12	filters	397 336 00	2	
A6	cartridge valve complete, M28x1	396 004 00	1	
B	adjustment grip DVXX	397 354 11	1	
C3	sensor DVXX	397 352 00	1	
C4	electronics for external push button	397 558 00	1	
C5	push button(external) On/Off	397 559 11	4	

surcharge colouring: gross plus 20%

delivery time coloured parts - upon request

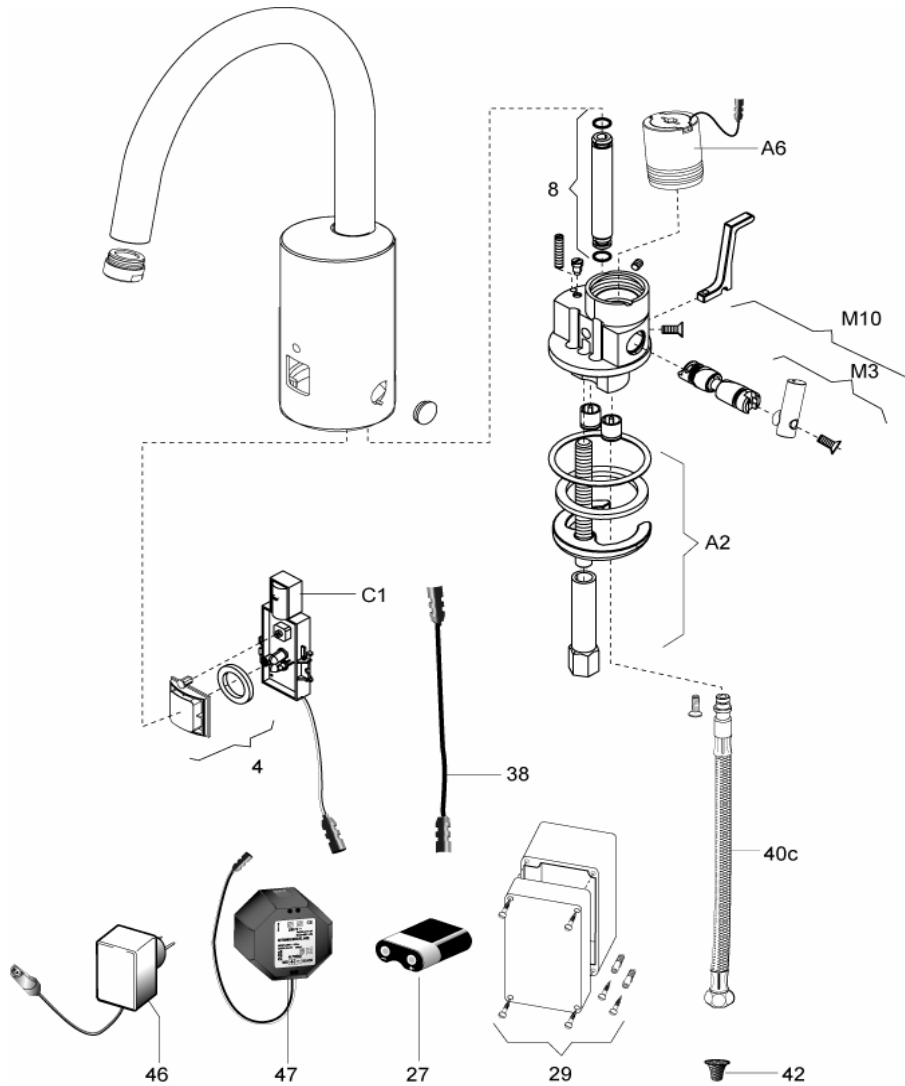


Loopino G10, G20

no.	discription	order no.	pcs/unit	price per piece in CHF excl. VAT
A2	fixing components M/F series	391 159 00	1	
A6	cartridge valve complete, M28x1	396 004 00	1	
C1	electronics, battery/mains supply combi M-series	391 152 00	1	
M3	mixing handle complete for lino	397 005 11	1	
M10	mixing device M10/F10 series	391 151 11	1	
4	round sensor cover	391 154 00	1	
8	pipe cpl. M/F series	391 155 00	1	
27	battery exchange set DL223A/CRP2P	550 000 04	1	
29	battery box without battery M series	391 158 00	1	
27+29	battery box with battery M series	391 153 00	1	
38	extension cable 30cm for mains supply	391 026 00	1	
40c	flexible high pressure hose plug connection EU 350mm	391 034 00	1	
42	filter	391 021 00	2	
46	plug mains receiver 230VAC/6VDC	550 032 00	1	
47	concealed mains receiver 230VAC/6VDC	393 010 00	1	

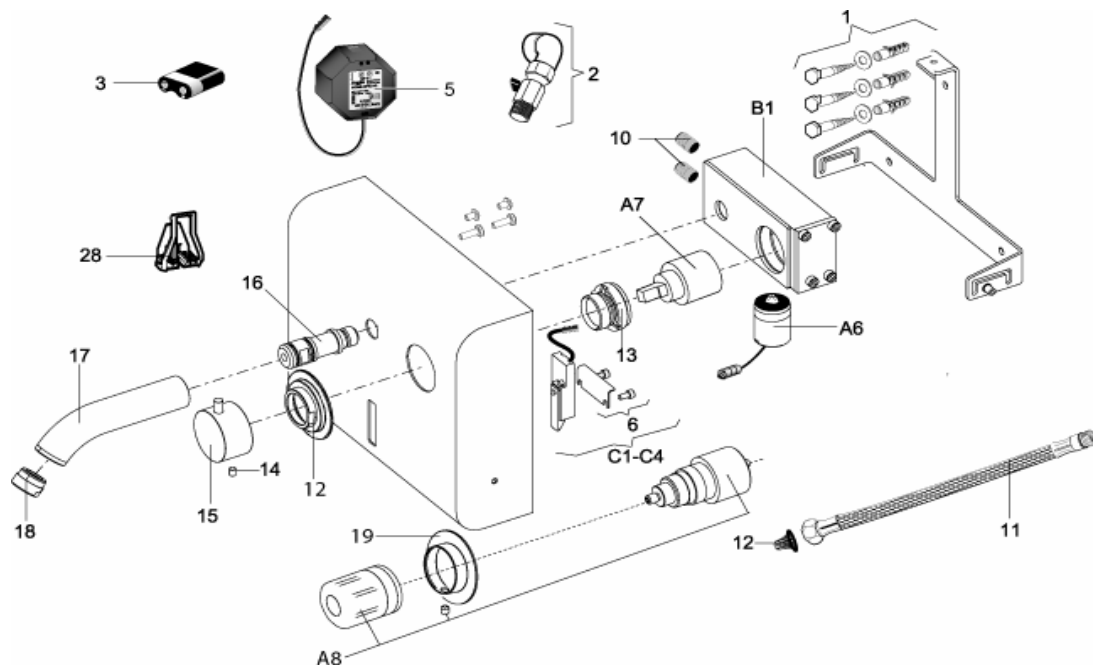
surcharge colouring: gross plus 20%

delivery time coloured parts - upon request



iqua exposed wall valve K10-K20 - K30

no.	discription	order no.	pcs/unit	price per piece in CHF excl. VAT
1	wall holder	397 154 00	1	
2	stop valve complete 1/2" - 3/8"	550 060 00	2	
3	battery exchange set DL223A/CRP2P	550 000 04	1	
5	concealed mains receiver 230VAC/6VDC	393 010 00	1	
6	fixing elements for electronics	397 152 00	1	
10	back flow preventer valve Ø10mm	391 003 00	2	
11	flexible high pressure hose M12 350mm	391 018 00	1	
12	filter	391 021 00	2	
13	fixing ring for mixing cartridge	397 156 00	1	
14	headless screw M5x6	397 106 00	1	
15	mixing handle complete for faucet with infrared sensor	397 115 11	1	
16	fastening bolt for spout	397 109 00	1	
17	spout W10-90, K10-20	397 100 11	1	
	spout, stainless steel	397 155 00	1	
18	aerator complete	391 014 11	1	
19	fixing ring for thermostat showermaster	396 119 11	1	
28	battery holder	396 008 00	1	
A6	cartridge valve complete, M28x1	396 004 00	1	
A7	mixing cartridge for faucet with infrared sensor	397 110 00	1	
A8	thermostat showermaster	396 115 11	1	
B1	valve body complete cold-warm water	397 118 00	1	
C1	electronics with "iqua click", battery operated K-Series	397 007 00	1	
C2	electronics without "iqua click", battery operated K-Series	397 008 00	1	
C3	electronics with "iqua click", mains supply K-Series	397 009 00	1	
C4	electronics without "iqua click", mains supply K-Series	397 010 00	1	

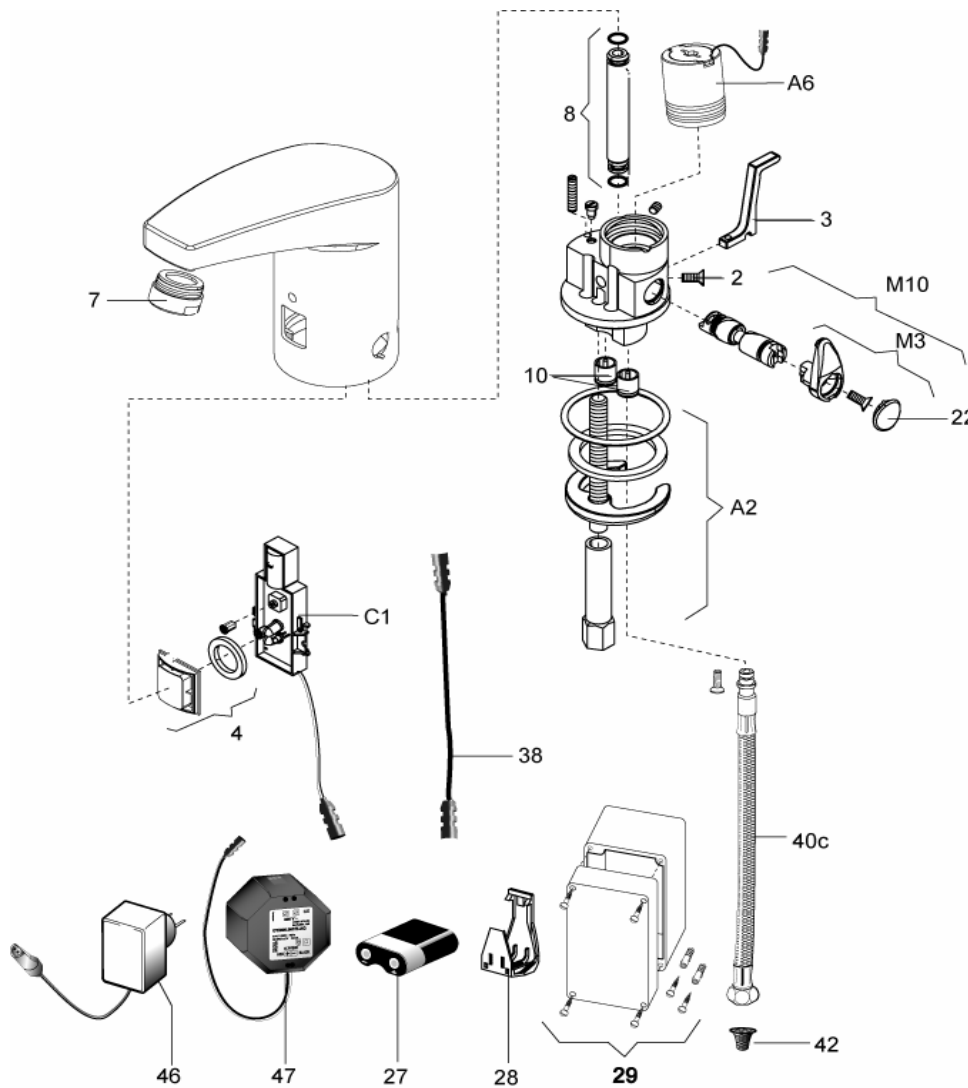


washbasin faucet M10-20

no.	discription	order no.	pcs/unit	price per piece in CHF excl. VAT
4	round sensor cover	391 154 00	1	
7	aerator complete	391 014 11	1	
8	pipe cpl. M/F series	391 155 00	1	
10	back flow preventer valve Ø10mm	391 003 00	2	
22	cover for mixing device	391 017 11	1	
27	battery exchange set DL223A/CRP2P	550 000 04	1	
29	battery box without battery M series	391 158 00	1	
38	extension cable 30cm for mains supply	391 026 00	1	
42	filter	391 021 00	2	
46	plug mains receiver 230VAC/6VDC	550 032 00	1	
47	concealed mains receiver 230VAC/6VDC	393 010 00	1	
27+29	battery box with battery M series	391 153 00	1	
40c	flexible high pressure hose plug connection EU 350mm	391 034 00	1	
A2	fixing components M/F series	391 159 00	1	
A6	cartridge valve complete, M28x1	396 004 00	1	
C1	electronics, battery/mains supply combi M-series	391 152 00	1	
M10	mixing device M10/F10 series	391 151 11	1	
M3	mixing lever M/F series	391 150 11	1	

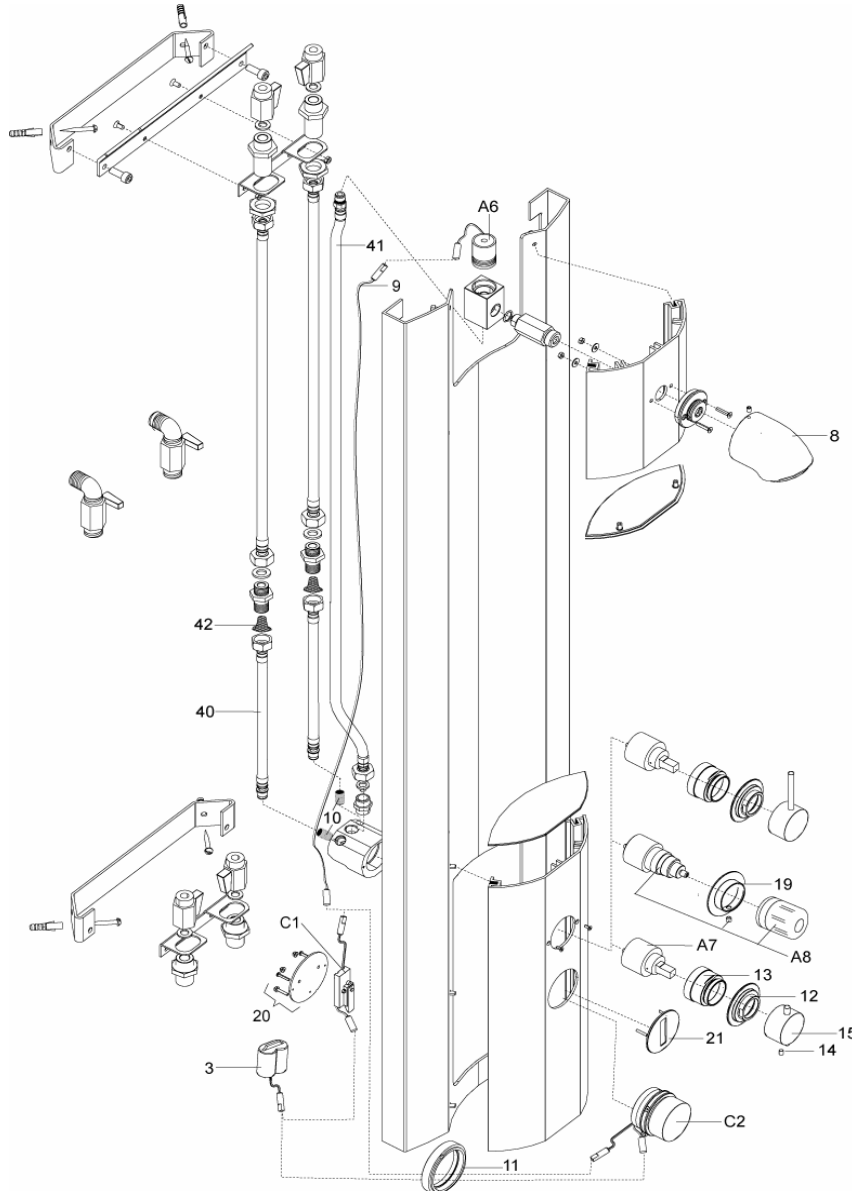
surcharge colouring: gross plus 20%

delivery time coloured parts - upon request



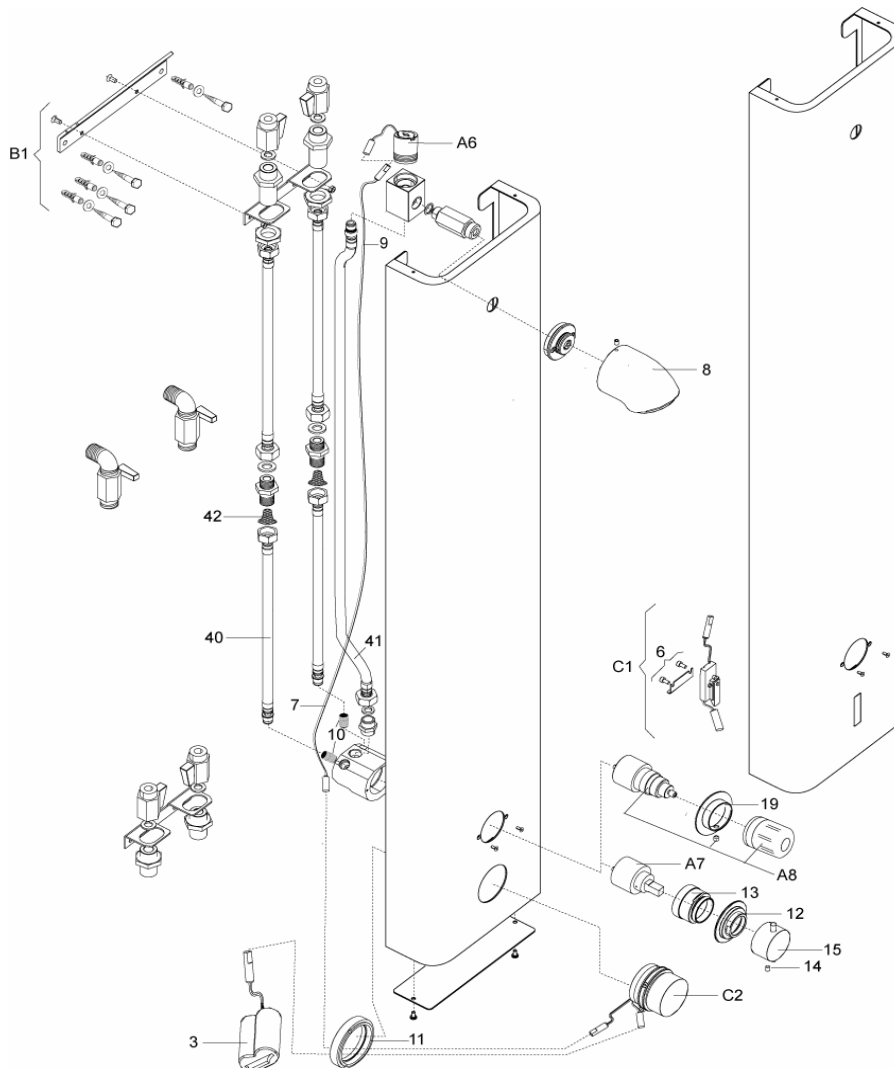
Showermaster P10-P15-P20-P25-P30-P35 ALU

no.	discription	order no.	pcs/unit	price per piece in CHF excl. VAT
3	coated battery	550 000 05	1	
8	shower head for showermaster	396 111 11	1	
9	extension cable 120cm	391 027 00	1	
10	back flow preventer valve Ø10mm	391 003 00	2	
11	nut M5x1	396 114 00	1	
12	chrome-ring for mixing cartridge	396 118 11	1	
13	fixing ring for mixing cartridge	397 156 00	1	
14	headless screw M5x6	397 106 00	1	
15	mixing handle complete for faucet with infrared sensor	397 115 11	1	
19	fixing ring for thermostat showermaster	396 119 11	1	
40	flexible high pressure hose 500mm	397 050 00	1	
41	flexible high pressure hose 1000mm	397 051 00	1	
42	filter	391 021 00	2	
20+21	fixing set for electronics	396 116 11	1	
A6	cartridge valve complete, M28x1	396 004 00	1	
A7	mixing cartridge for faucet with infrared sensor	397 110 00	1	
A8	thermostat showermaster	396 115 11	1	
C1	sensor for showermaster	396 110 00	1	
C2	start-stop electronics showermaster	396 113 11	1	



Showermaster P10/20/30 inox iqua

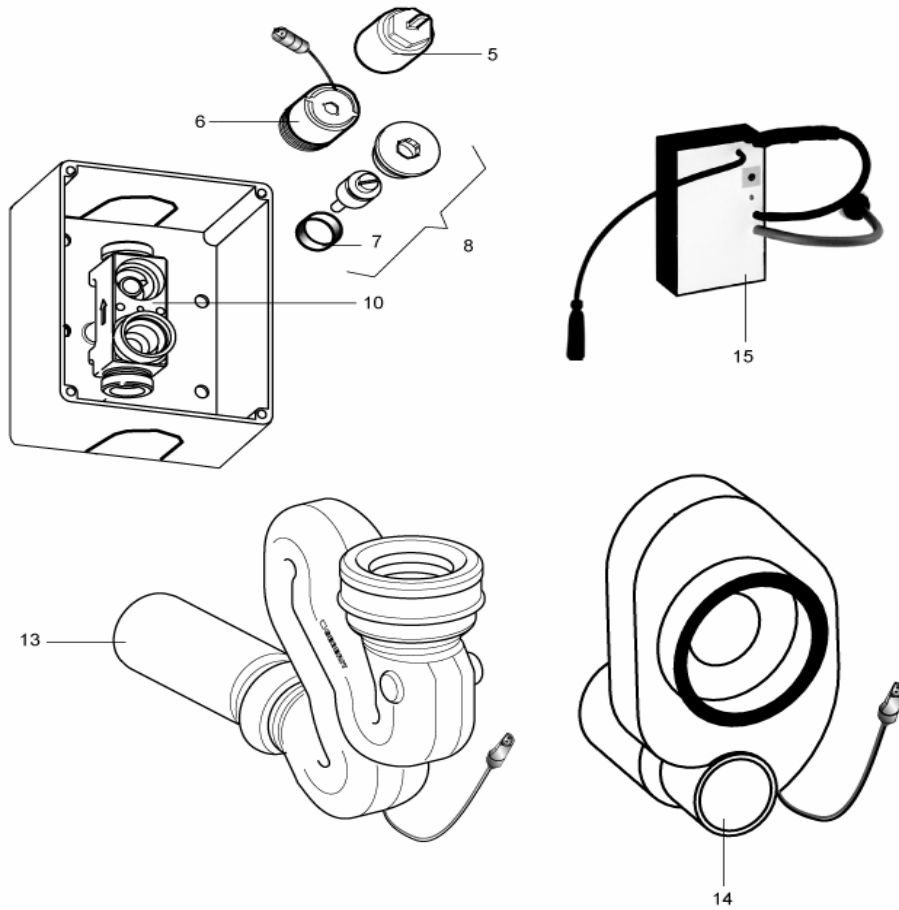
no.	discription	order no.	pcs/unit	price per piece in CHF excl. VAT
3	coated battery	550 000 05	1	
6	fixing elements for electronics	397 152 00	1	
8	shower head for showermaster	396 111 11	1	
9	extension cable 120cm	391 027 00	1	
10	back flow preventer valve Ø10mm	391 003 00	2	
11	nut M5x1	396 114 00	1	
12	chrome-ring for mixing cartridge	396 118 11	1	
13	fixing ring for mixing cartridge	397 156 00	1	
14	headless screw M5x6	397 106 00	1	
15	mixing handle complete for faucet with infrared sensor	397 115 11	1	
19	fixing ring for thermostat showermaster	396 119 11	1	
40	flexible high pressure hose 500mm	397 050 00	1	
41	flexible high pressure hose 1000mm	397 051 00	1	
42	filter	391 021 00	2	
A6	cartridge valve complete, M28x1	396 004 00	1	
A7	mixing cartridge for faucet with infrared sensor	397 110 00	1	
A8	thermostat showermaster	396 115 11	1	
B1	fixing screws	396 112 00	1	
C1	sensor for showermaster	396 110 00	1	
C2	start-stop electronics showermaster	396 113 11	1	



price per piece in CHF excl. VAT, replaces all earlier versions
 V5.4 / 01.01.2008 / subject to alteration

urinal fitting S10

no.	discription	order no.	pcs/unit	price per piece in CHF excl. VAT
7	filter S10, U10/20	397 221 00	1	
8	maintenance set	397 222 00	1	
10	valve body complete S10, U10/20	397 220 00	1	
5	valve dummy	397 219 00	1	
13	Geberit siphon with sensor	397 343 00	1	
14	Viega siphon with sensor	397 344 00	1	
15	electronic S10	397 345 00	1	
6	cartridge valve complete, M28x1	396 004 00	1	

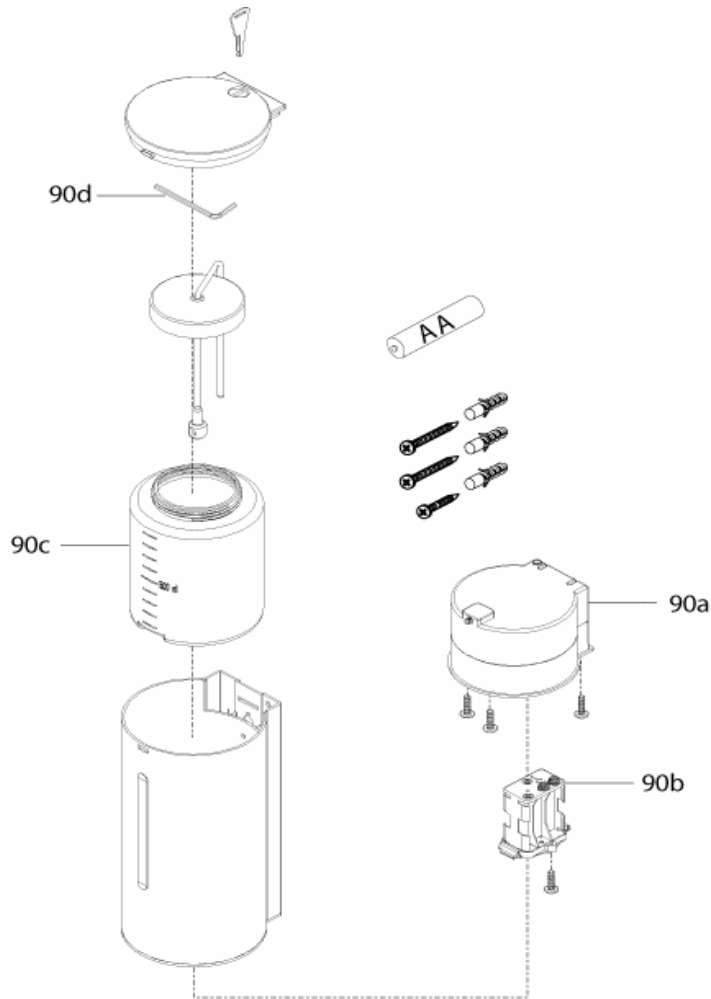


SD80 soap dispenser

no.	discription	order no.	pcs/unit	price per piece in CHF excl. VAT
	front cover	390 803 33	1	
	motor unit	390 804 00	1	
	nozzle cpl.	390 805 00	1	
	soap container	390 806 00	1	

SD90 soap dispenser

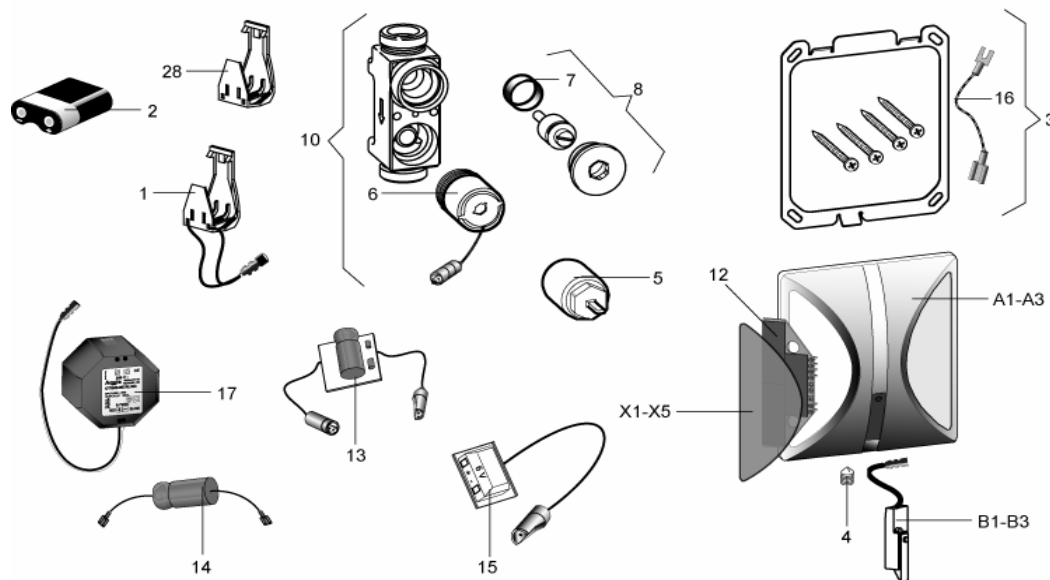
no.	discription	order no.	pcs/unit	price per piece in CHF excl. VAT
90a	electronic, pump unit SD90	390 824 00	1	
90b	battery holder SD90	390 825 00	1	
90c	soap tank SD90	390 826 00	1	
90d	ellen key for battery holder SD90	390 827 00	1	



price per piece in CHF excl. VAT, replaces all earlier versions
 V5.4 / 01.01.2008 / subject to alteration

U10 Urinal

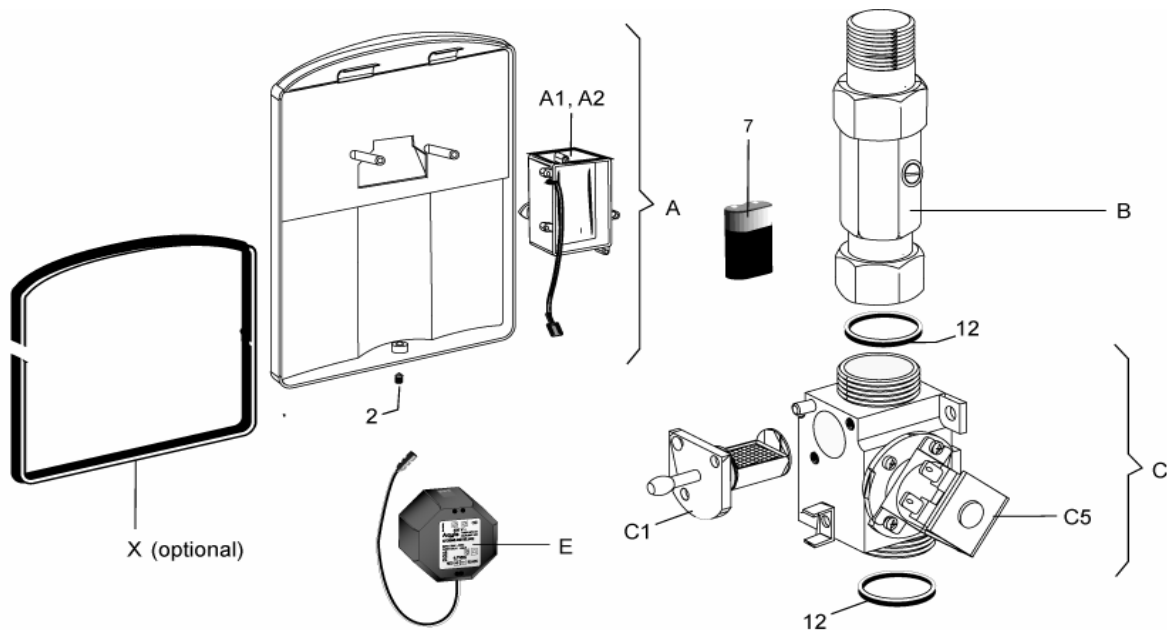
no.	discription	order no.	pcs/unit	price per piece in CHF excl. VAT
1	battery holder with plug connection	397 261 00	1	
2	battery exchange set DL223A/CRP2P	550 000 04	1	
3	mounting frame U10	397 209 00	1	
4	headless screw M5x8	397 205 00	1	
5	valve dummy	397 219 00	1	
6	cartridge valve complete, M28x1	396 004 00	1	
7	filter S10, U10/20	397 221 00	1	
8	maintenance set	397 222 00	1	
10	valve body complete S10, U10/20	397 220 00	1	
13	condenser central mains supply U10	397 211 00	1	
14	condenser solar U10	397 212 00	1	
15	connector 6V	397 213 00	1	
16	PE cable	397 207 00	1	
17	concealed mains receiver 230VAC/6VDC	393 010 00	1	
18	central mains receiver 230VAC/6VDC	397 230 00	1	
28	battery holder	396 008 00	1	
A1	front panel chrome without inlay	397 200 11	1	
A1+B1+X1+12	front panel complete solar	397 248 11	1	
A1+X1+12	front panel with solar cells	397 240 11	1	
A2	front panel white without inlay	397 200 33	1	
A3	font panel chrome-satin without inlay	397 200 44	1	
B1	electronics solar	397 201 00	1	
B2	electronics battery operated U10/60	397 202 00	1	
B3	electronics mains supply	397 203 00	1	
X1	plastic window U10, white	550 040 33	1	
X1+12	solar-cells with cover	397 245 33	1	
X2	plastic window U10, matt-chrome	550 040 44	1	
X3	plastic window U10, blue	550 040 66	1	
X4	plastic window U10, black	550 040 77	1	
X5	plastic window U10, red	550 040 88	1	
X6	plastic window U10, yellow	550 040 99	1	



price per piece in CHF excl. VAT, replaces all earlier versions
 V5.4 / 01.01.2008 / subject to alteration

urinal fitting U20 for concealed installation

no.	discription	order no.	pcs/unit	price per piece in CHF excl. VAT
2	headless screw M6x8 for U20/U50	390 021 00	1	
7	battery exchange set 2CR5/DL245	550 000 03	1	
12	flat seal	390 025 00	2	
A	front panel complete for U20, battery operated	393 001 11	1	
A	front panel complete for U20, mains supply	393 002 11	1	
A1	electronic/sensor complete for U20/U50 battery operated	393 003 00	1	
A2	electronic/sensor complete for U20/U50 mains supply	393 004 00	1	
B	stop valve for A50/U20 1/2"	393 006 00	1	
C	valve body complete for U20	393 007 00	1	
C1	filter complete for U20	393 008 00	1	
C5	valve complete A50/SE3/U20/U50	393 005 00	1	
E	concealed mains receiver 230VAC/6VDC	393 030 00	1	
X	seal for front panel 74.5cm(optional)	396 049 00	1	

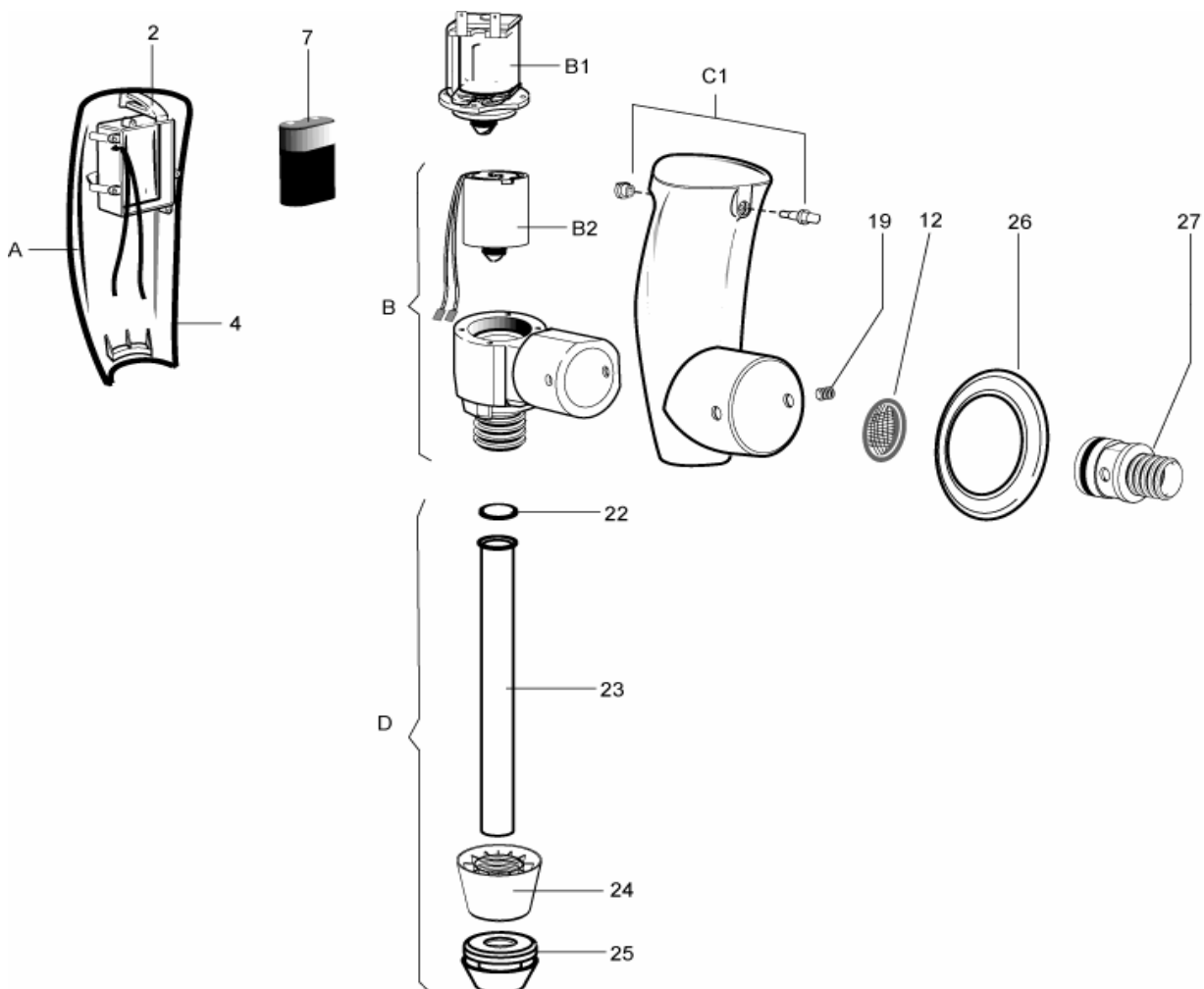


urinal fitting U40 for exposed installation

no.	discription	order no.	pcs/unit	price per piece in CHF excl. VAT
	front cover without electronics	392 013 11	1	
2	fastening hook	390 017 00	1	
4	seal for front cover U40	390 019 00	1	
7	battery exchange set 2CR5/DL245	550 000 03	1	
12	filter 3/4"	392 004 00	1	
19	headless screw M6x12	390 020 00	1	
22	flat seal	390 025 00	2	
23	outlet pipe	392 008 11	1	
24	cone nut	392 009 11	1	
25	urinal connector	392 010 11	1	
26	rosette with rubber ring	392 011 11	1	
27	stop valve for U40 1/2"	392 012 00	1	
A	front cover complete for U40, chrome	392 001 11	1	
B	valve body complete for U40	392 003 00	1	
B1	valve complete for U40	392 002 00	1	
B2	cartridge valve U40/SE3	395 000 00	1	
C1	fastening components complete for front cover	392 005 11	1	
D	outlet pipe complete	392 006 11	1	

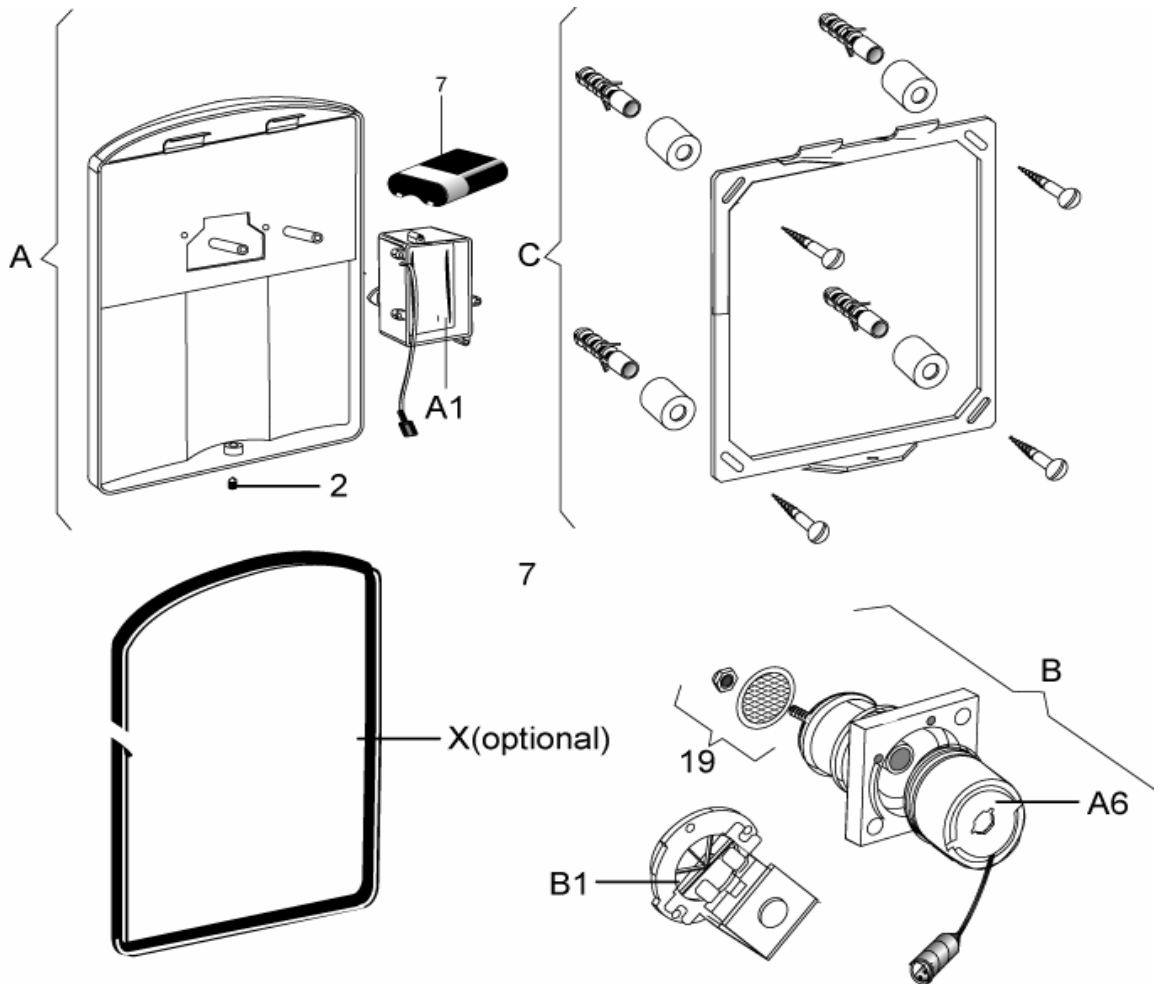
surcharge colouring: gross plus 20%

delivery time coloured parts - upon request



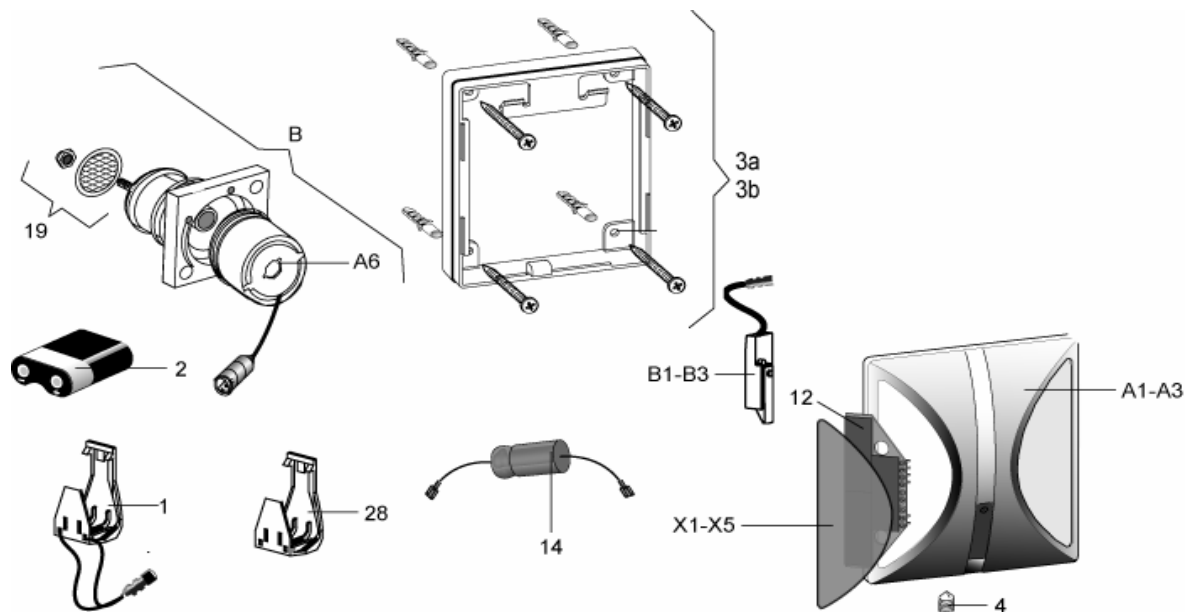
urinal fitting U50, modifaction set

no.	discription	order no.	pcs/unit	price per piece in CHF excl. VAT
2	headless screw M6x8 for U20/U50	390 021 00	1	
7	battery exchange set 2CR5/DL245	550 000 03	1	
19	seals set with filter for U50	393 052 00	1	
A	front panel complete for U50	393 050 00	1	
A1	electronic/sensor complete for U20/U50 battery operated	393 003 00	1	
B	valve body complete for U50	393 051 00	1	
B1	valve complete A50/SE3/U20/U50	393 005 00	1	
C	fastening components for U50	393 053 00	1	
X	seal for front panel 74.5cm(optional)	396 049 00	1	



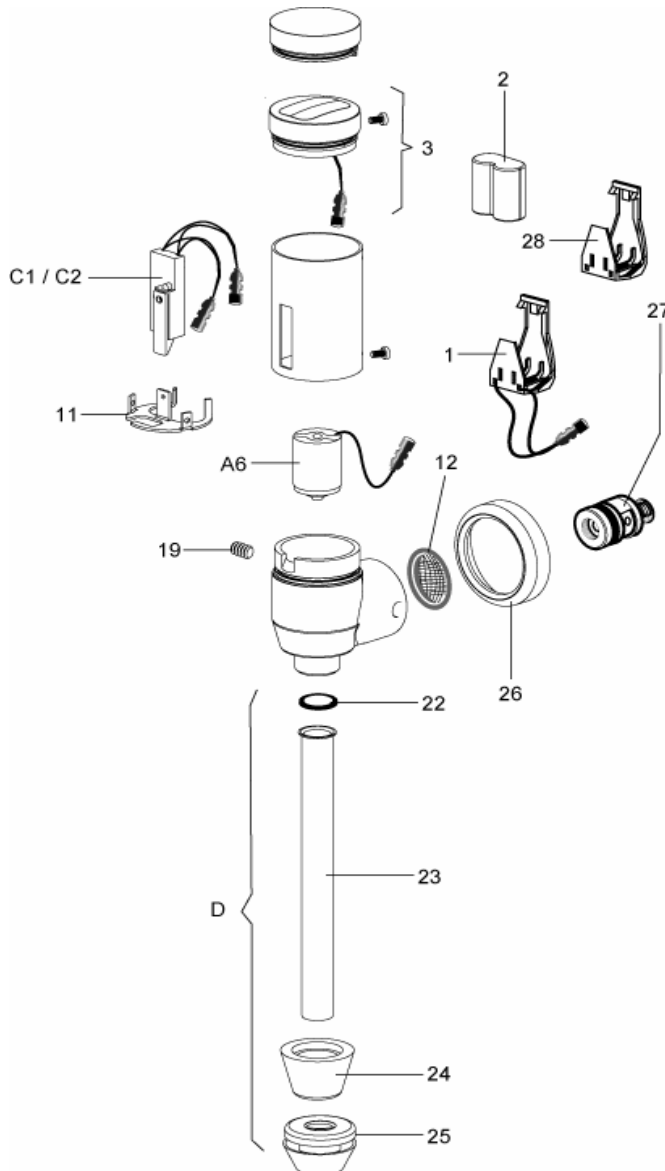
urinal fitting U55, modifaction set

no.	discription	order no.	pcs/unit	price per piece in CHF excl. VAT
1	battery holder with plug connection	397 261 00	1	
2	battery exchange set DL223A/CRP2P	550 000 04	1	
3a	mounting frame U55 chrommatt	397 235 00	1	
3b	mounting frame U55 chrome	397 235 11	1	
4	headless screw M5x8	397 205 00	1	
14	condenser solar U10	397 212 00	1	
19	seals set with filter for U50	393 052 00	1	
28	battery holder	396 008 00	1	
A1	front panel chrome without inlay	397 200 11	1	
A3	font panel chrome-satin without inlay	397 200 44	1	
A6	cartridge valve complete, M28x1	396 004 00	1	
A1+B1+X1+12	front panel complete solar	397 248 11	1	
B	valve body complete for U50	393 051 00	1	
B1	electronics solar	397 201 00	1	
B2	electronics battery operated U10/60	397 202 00	1	
X1	plastic window U10, white	550 040 33	1	
X2	plastic window U10, matt-chrome	550 040 44	1	
X3	plastic window U10, blue	550 040 66	1	
X4	plastic window U10, black	550 040 77	1	
X5	plastic window U10, red	550 040 88	1	
X6	plastic window U10, yellow	550 040 99	1	
X1+12	solar-cells with cover	397 245 33	1	



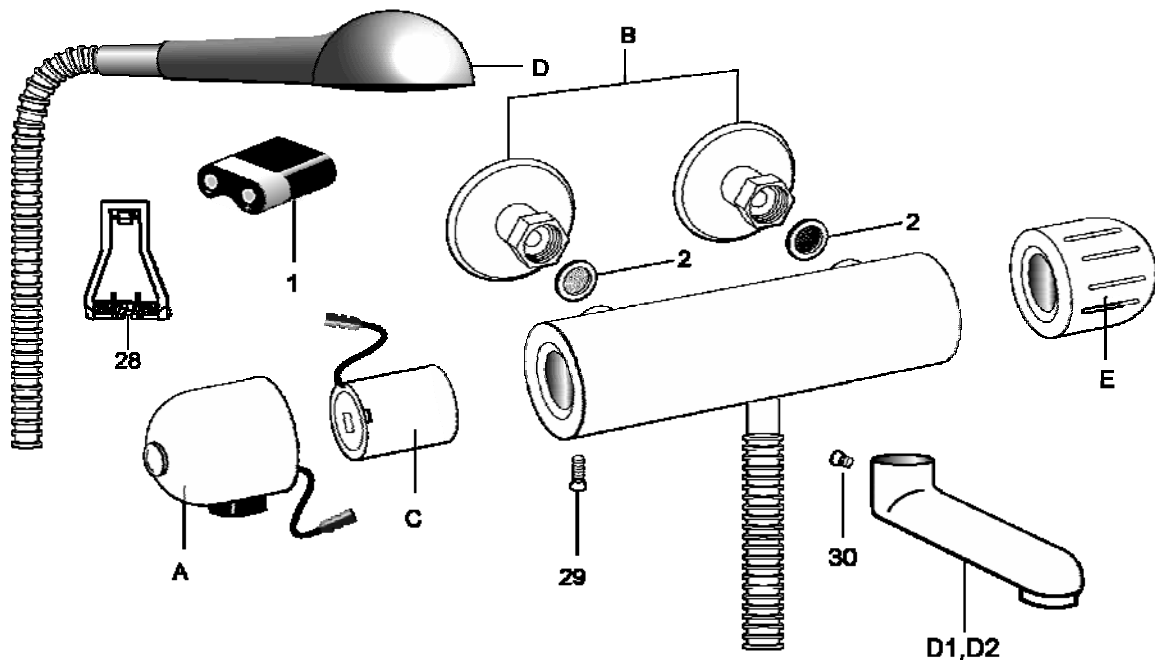
U60 Urinal

no.	discription	order no.	pcs/unit	price per piece in CHF excl. VAT
1	battery holder with plug connection	397 261 00	1	
2	battery exchange set DL223A/CRP2P	550 000 04	1	
3	cover solar	397 020 11	1	
11	retainer ring	397 262 00	1	
12	filter 3/4"	392 004 00	1	
19	headless screw M6x12	390 020 00	1	
22	flat seal	390 025 00	2	
23	outlet pipe	392 008 11	1	
24	cone nut	392 009 11	1	
25	urinal connector	392 010 11	1	
26	rosette with rubber ring	392 011 11	1	
27	stop valve for U40 1/2"	392 012 00	1	
28	battery holder	396 008 00	1	
A6	cartridge valve complete, M28x1	396 004 00	1	
C1	electronics U60 battery	397 259 00	1	
C2	electronics U60 solar	397 260 00	1	
D	outlet pipe complete	392 006 11	1	



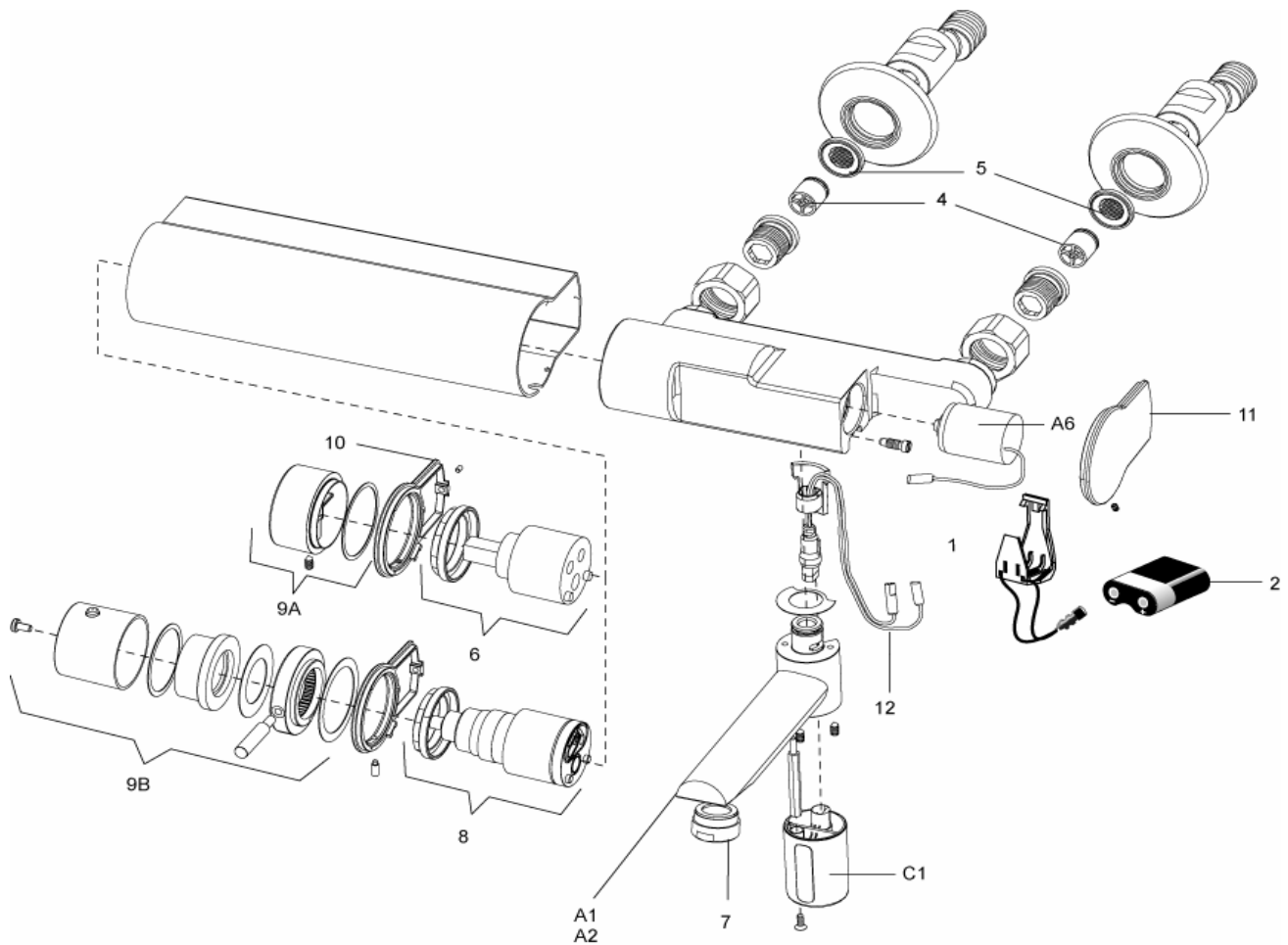
exposed wall valve W10 and shower D10

no.	discription	order no.	pcs/unit	price per piece in CHF excl. VAT
	ring for thermostat control knob	396 017 11	1	
	thermostat cartridge	396 018 00	1	
1	battery exchange set DL223A/CRP2P	550 000 04	1	
2	filter 3/4"	396 003 00	2	
28	battery holder	396 008 00	1	
29	fastening screw for electronics	390 046 00	1	
30	fastening screw for spout	390 047 00	1	
A1	electronic/sensor complete for D10	396 010 11	1	
A2	electronic/sensor complete for W10	396 001 11	1	
B	stop valve complete (only Switzerland)	396 002 00	1	
B	s-connector 3/4"-1/2"	396 012 11	2	
C	cartridge valve complete, M28x1	396 004 00	1	
D1	spout 185 mm for W10	396 005 11	1	
D2	spout 235 mm for W10	396 006 11	1	
E	thermostat control knob complete	396 007 11	1	



exposed wall valve W30-W35

no.	discription	order no.	pcs/unit	price per piece in CHF excl. VAT
C1	electronic W30-W35	396 150 11	1	
4	back flow preventer valve Ø15mm	397 135 00	2	
6	mixing cartridge W/D30	397 141 00	1	
8	thermostat W/D35	397 138 00	1	
9A	mixing handle W/D30	397 136 11	1	
10	cover for mixing device W/D30 left	397 130 11	1	
	o-ring set W/D30	397 137 00	1	
9B	mixing handle for thermostat W/D35	397 139 00	1	
	screws set W/D3x series	397 140 00	1	
7	aerator complete	391 014 11	1	
5	filter complete for A50	396 056 00	1	
11	cover for mixing device W30/35 right	397 133 11	1	
A6	cartridge valve complete, M28x1	396 004 00	1	
2	battery exchange set DL223A/CRP2P	550 000 04	1	
12	cable set W30/35	397 142 00	1	
A1	spout 200mm W30/35	397 143 11	1	
A2	spout 260mm W30/35	397 144 11	1	
1	battery holder with plug connection	397 261 00	1	



price per piece in CHF excl. VAT, replaces all earlier versions
 V5.4 / 01.01.2008 / subject to alteration

wall valve WV10-WV20

no.	discription	order no.	pcs/unit	price per piece in CHF excl. VAT
1	battery holder with plug connection	397 261 00	1	
2	battery exchange set DL223A/CRP2P	000 000 00	1	
3	aerator complete	391 014 11	1	
4	headless screw M5x5	397 324 00	1	
5	mixing handle WV	397 325 11	1	
6a	front cover WV10	397 326 11	1	
6b	front cover WV20	397 327 11	1	
A1	spout 120mm	397 321 11	1	
A2	spout 170mm	397 322 11	1	
A3	spout 220mm	397 323 11	1	
A6	cartridge valve complete, M28x1	396 004 00	1	
C1	electronic cpl. with "iqua click"	397 330 00	1	
C2	electronic cpl. without "iqua click"	397 331 00	1	
7	fixing ring for front cover	397 332 00	1	
8	o-ring set WV	397 333 00	1	
9	fastening bolt for spout WV	397 334 00	1	
10	mixing device WV	397 335 00	1	
11	back flow preventer valve Ø10mm	391 003 00	2	
12	filters	397 336 00	2	
N1	concealed mains receiver 230VAC/6VDC	393 010 00	1	

surcharge colouring: gross plus 20%

delivery time coloured parts - upon request

