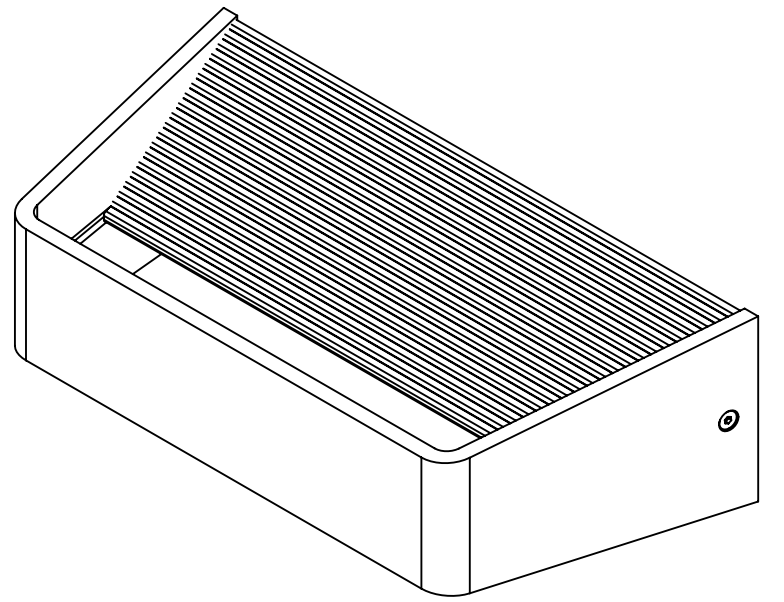
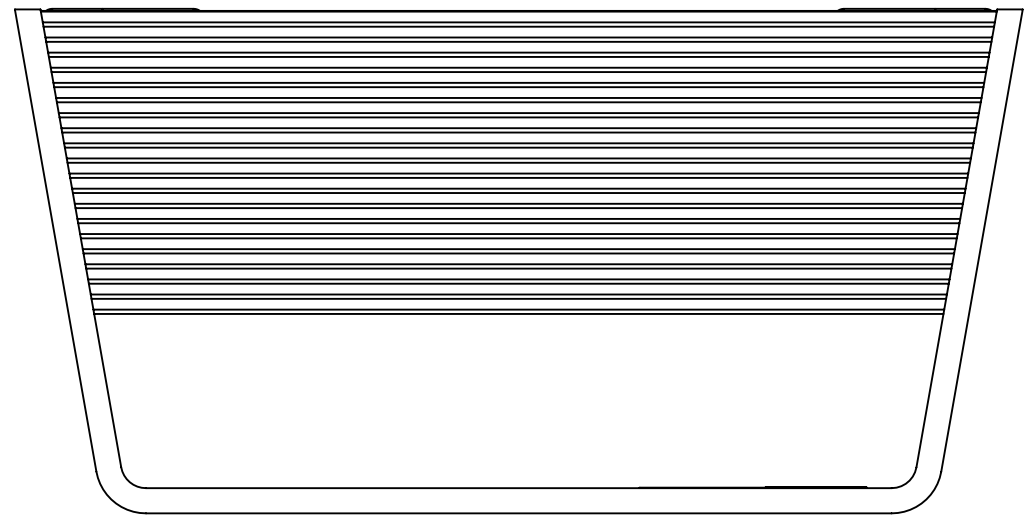
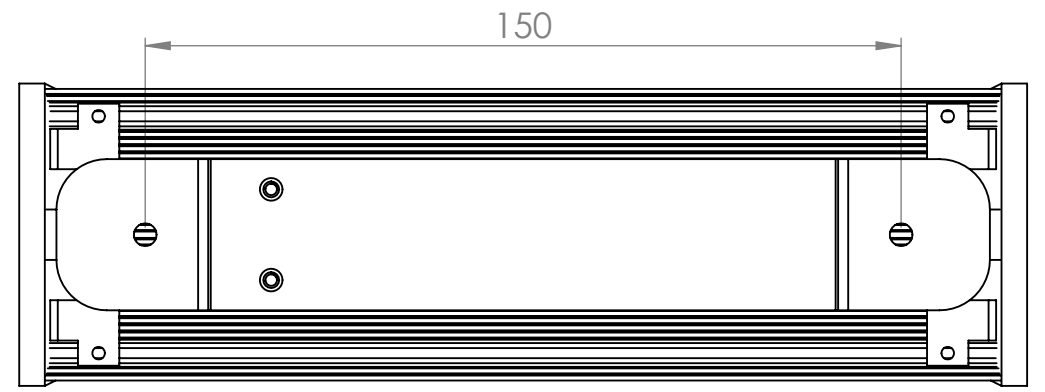
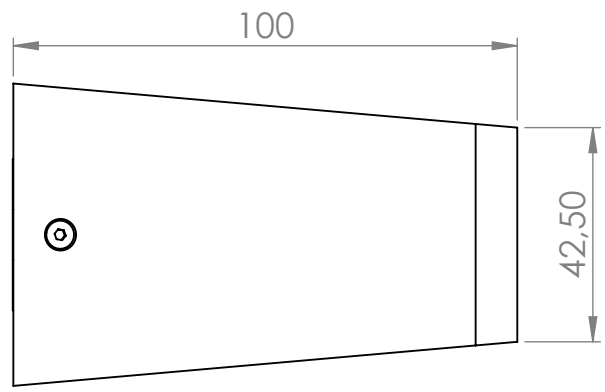
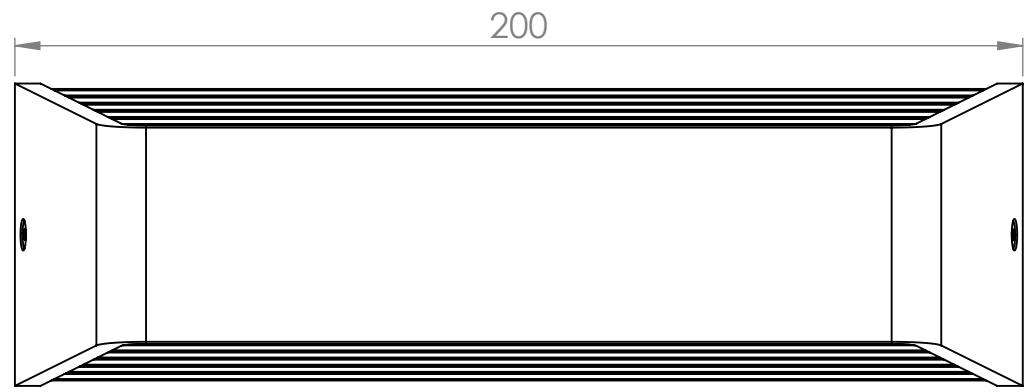



8 7 6 5 4 3 2 1

D
C
B
A

D
C
B
A



PROPRIETARY AND CONFIDENTIAL
 THE INFORMATION CONTAINED IN THIS DRAWING IS THE SOLE PROPERTY OF LOEVSCHALL A/S. ANY REPRODUCTION IN PART OR AS A WHOLE WITHOUT THE WRITTEN PERMISSION OF LOEVSCHALL A/S IS PROHIBITED.

| | | | | | |
|--|--|-----------------|--------------|---|---------------------------|
| UNLESS OTHERWISE SPECIFIED: | | NAME | DATE |  NIKKELVEJ 11 DK- 8940 RANDERS SV TLF: +45 87 11 40 50 WWW.LOEVSCHALL.DK | |
| DIMENSIONS ARE IN MM TOLERANCES WITHOUT INDIVIDUAL TOLERANCE INDICATION, ACCORDING TO ISO 2768 - m | | DRAWN | | | SERIES: <h1>Scala</h1> |
| | | APPROV. BY. | | | |
| MATERIAL | | COMMENTS: | | SIZE DWG. NO. REV | |
| COLOUR | | REPLACEMENT OF: | | | |
| SURFACE TREATMENT | | ART:NO: | | A3 | |
| DO NOT SCALE DRAWING | | SCALE: 1:2 | SHEET 1 OF 1 | | |

8 7 6 5 4 3 2 1