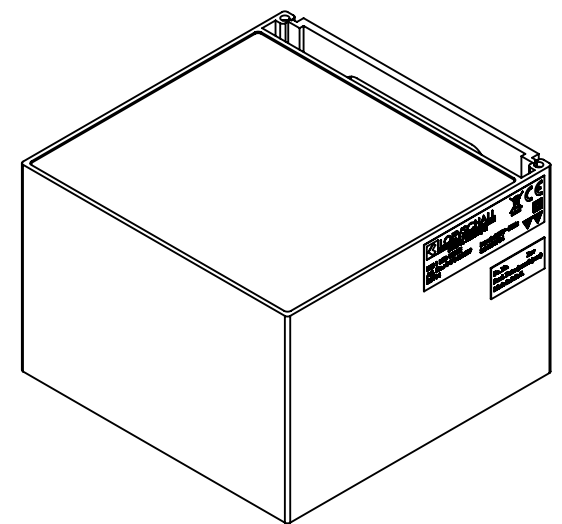
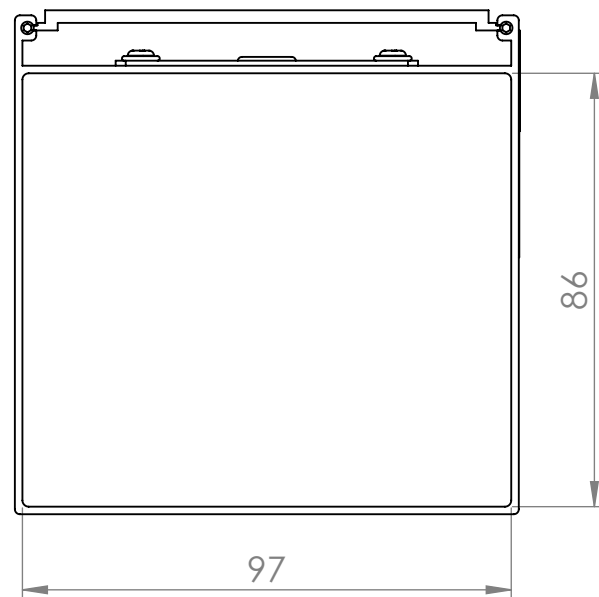
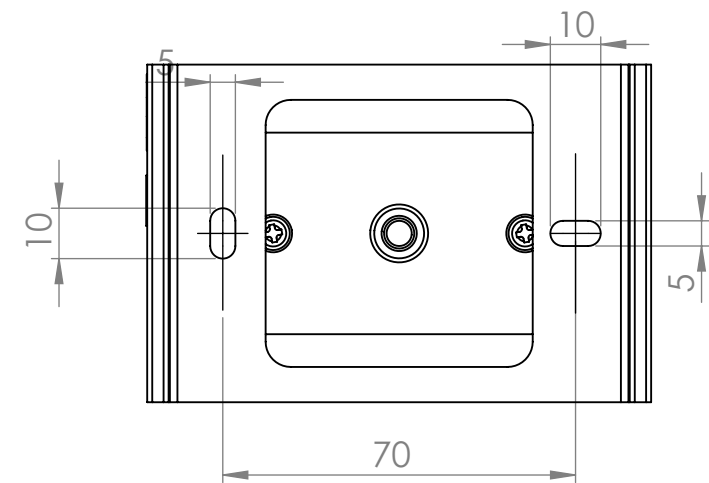
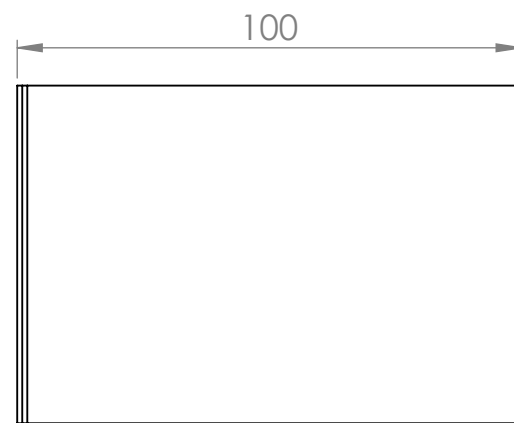
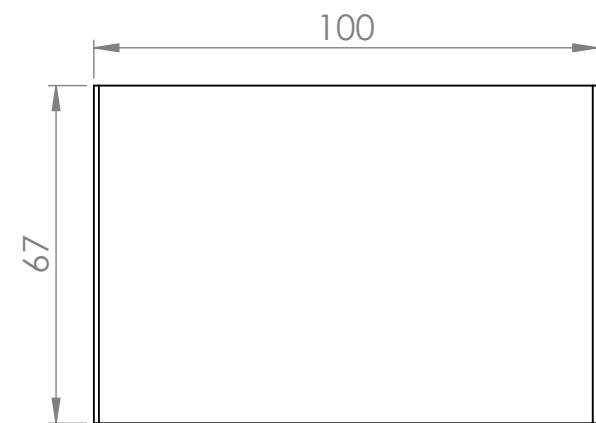



8 7 6 5 4 3 2 1

D
C
B
A



PROPRIETARY AND CONFIDENTIAL
 THE INFORMATION CONTAINED IN THIS DRAWING IS THE SOLE PROPERTY OF LOEVSCHALL A/S. ANY REPRODUCTION IN PART OR AS A WHOLE WITHOUT THE WRITTEN PERMISSION OF LOEVSCHALL A/S IS PROHIBITED.

UNLESS OTHERWISE SPECIFIED:		NAME	DATE	 NIKKELVEJ 11 DK- 8940 RANDERS SV TLF: +45 87 11 40 50 WWW.LOEVSCHALL.DK
DIMENSIONS ARE IN MM TOLERANCES WITHOUT INDIVIDUAL TOLERANCE INDICATION, ACCORDING TO ISO 2768 - m		DRAWN		
		APPROV. BY.		
		LATEST REV.		SERIES:
MATERIAL		COMMENTS:		SUBJECT: Liri LIRI 1 LED WHITE - LI0114
COLOUR		REPLACEMENT OF:		
SURFACE TREATMENT		ART:NO:		SIZE
DO NOT SCALE DRAWING		SCALE: 1:2	SHEET 1 OF 1	DWG. NO.
				REV

8 7 6 5 4 3 2 1